



INLINE WEIGH SCALE

USER MANUAL



1. OVERVIEW

- The ASPIRE Inline Weigh Scale allows for an accurate weight measurement to be taken by a carer when a patient is suspended in a sling.
- The ASPIRE Inline Weigh Scale has been tested to hold a maximum Safe Working Load (SWL) of 320kg.
- The ASPIRE range of patient lifting solutions have been designed and tested to comply with AS/NZ ISO 10535: 2011.

TABLE OF CONTENTS

1. Overview _____	3
2. Safety Precautions _____	4
3. Parts Glossary _____	5
4. Assembly _____	6
5. Preliminary Checks _____	7
6. Weigh Scale Operation _____	7
7. Maintenance _____	8
8. Specifications _____	8
9. Limited Warranty _____	9



2. SAFETY PRECAUTIONS

Intended Use of the Product

The ASPIRE Inline Weigh Scale has been designed to weigh human patients with the assistance of one carer or attendant.

The ASPIRE Inline Weigh Scale should ONLY be used with Aidacare approved patient slings & lifters, which have been chosen and assessed by a competent trained health professional. For a complete list of all compliant lifting slings and patient lifters, please contact Aidacare on 1300 133 120.

Approved Patient Lifters for use with the ASPIRE Inline Weigh Scale

- Aidacare Aspire A150F Patient Lifter
- Aidacare Aspire A205 Patient Lifter
- Aidacare Aspire 200 Patient Lifter
- Aidacare Aspire A320 Patient Lifter

IMPORTANT – only approved patient lifters, slings and accessories are compatible with this Inline Weigh Scale. If you are unsure please contact Aidacare on 1300 133 120.

The correct and appropriate use of the ASPIRE Inline Weigh Scale reduces the risks associated with manual patient weighing.

Safety Considerations



ALWAYS ensure that attendants have read this guide before operating this patient scale.



ALWAYS use slings and lifters that are assessed and considered suitable by a trained healthcare professional.



ALWAYS ensure the area around the lifter and patient is clear of obstructions.



DO NOT operate a patient lifter without training in the safe operation of lifters and slings. **IF IN DOUBT DO NOT USE.**



DO NOT use the weigh scale where any doubt exists regarding the safety of the scale including but not limited to wear or damage with particular importance to be placed on the yoke and lifter sling attachment points.



DO NOT use the scale with slings showing any signs of wear or damage, including fraying.



DO NOT exceed the 320kg safe working load of the ASPIRE Inline Weigh Scale.



DO NOT use the weigh scale when transporting a patient. It is not designed to be used during patient lifter transportation.



DO NOT use on standing lifters.

Intended Use

The intended use of the ASPIRE Inline Weigh Scale is the measurement of patient weight.

3. PARTS GLOSSARY

The Aspire In Line Weigh Scale comes with the following standard components:

Item	QTY	Picture	Description
1	1		Scalev
2	1		Bushing 1220
3	1		Bushing 1020
4	1		Universal bracket
5	2		Pin
6	2		Key ring
7	2		Washer

Where pins and split rings are not desired, they can be replaced with nuts and bolts (not included) as below:

Item	QTY	Picture	Description	Aidacare Item Number
8	1		M10 Bolt	GSP390923*
9	2		M10 Washer	
10	2		Nylon Washer	
11	1		M10 Locknut	
12	4		Plastic Cover	GSP390911^

NOTE:

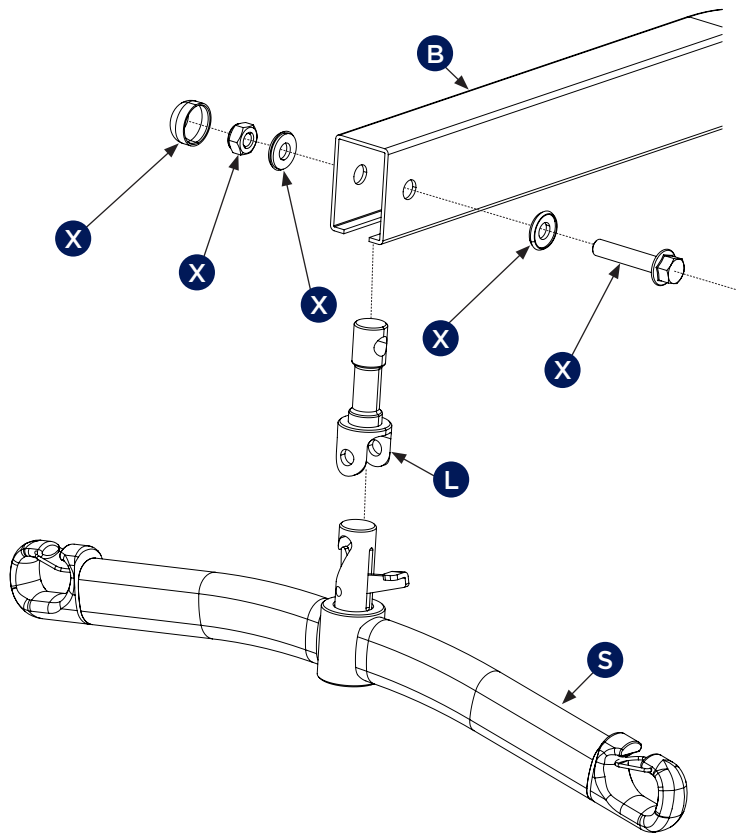
- * 2pcs of GSP390923 required per weigh scale
- ^ 4pcs of GSP390911 required per weigh scale

4. ASSEMBLY

1. Insert and connect 9V battery into weigh scale.
2. Remove Spreader Bar (S) and Link (L) from lifter boom (B). Retain items marked 'X'.

NOTES:

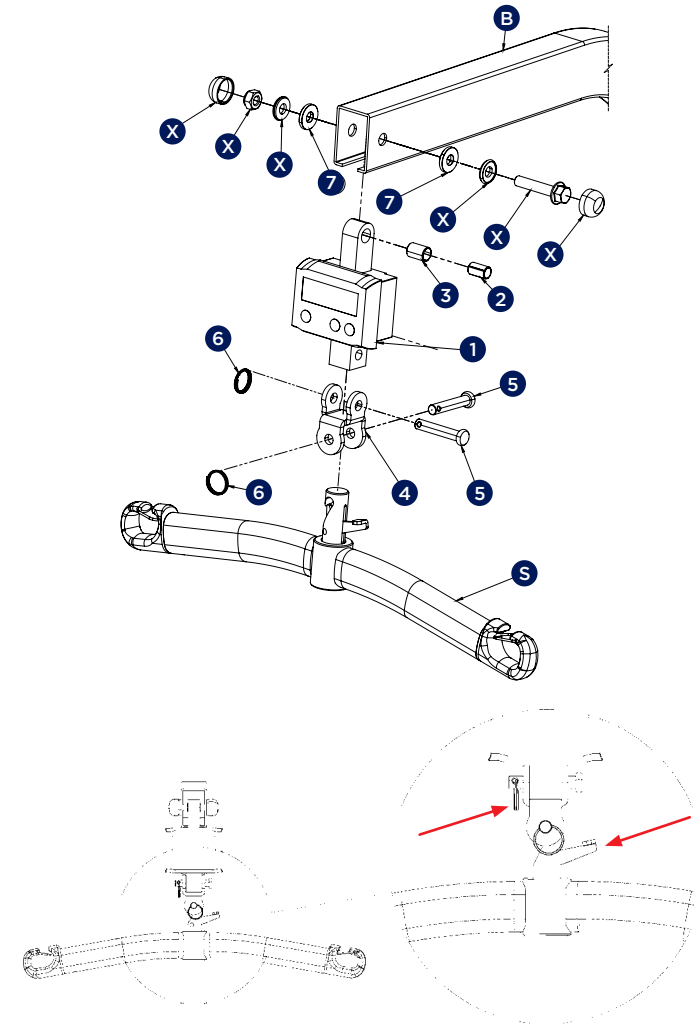
- a. Keep the link in a safe location for when lifter is used without the Aspire In Line Weigh Scale.
- b. Aspire 200 Lifter boom shown below. Your lifter boom may vary. Do not remove any part of the lifter boom (including any extension pieces).



3. Assemble the weigh scale as shown below. Note that items marked 'X' are retained from Step 2.



WARNING! For normal assembly: ensure the latch from spreader bar is installed on the opposite side to the top split ring.



NORMAL ASSEMBLY

5. PRELIMINARY CHECKS

After installing the ASPIRE Inline Weigh Scale as per 4. Assembly, these checks should be completed prior to initially using the weigh scale:

1. Check scale is mounted safely and securely.
2. Check that the battery has sufficient charge. If battery symbol appears on screen, battery needs to be replaced.
3. Check that sling is correctly mounted on the spreader bar as per current manual handling guidelines.

6. WEIGH SCALE OPERATION

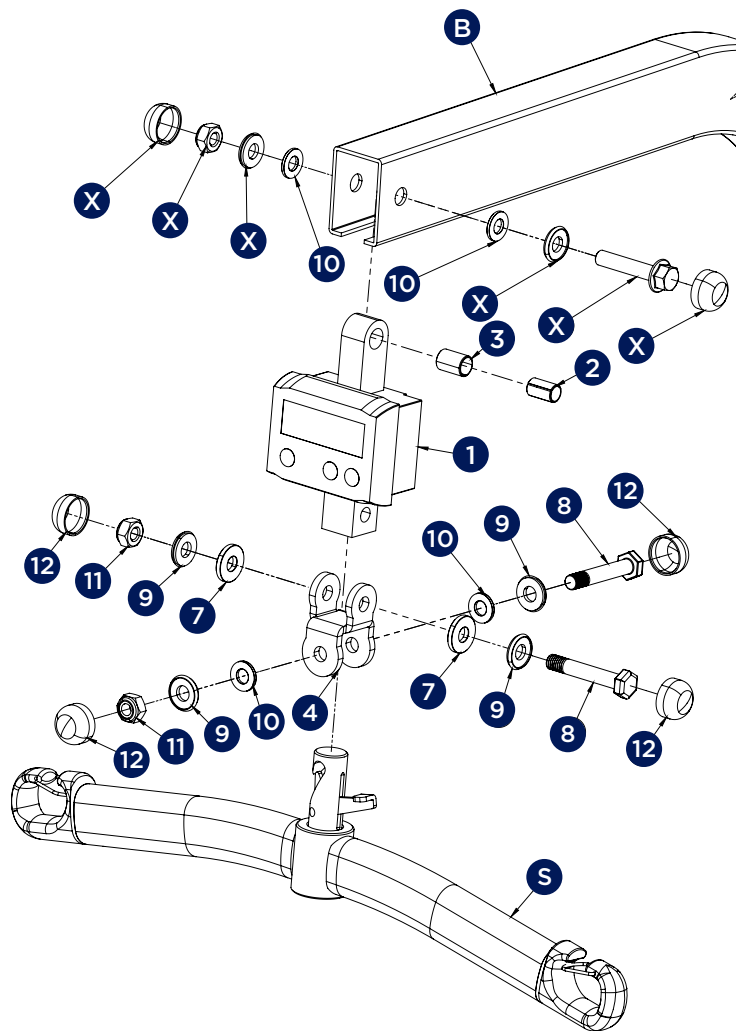
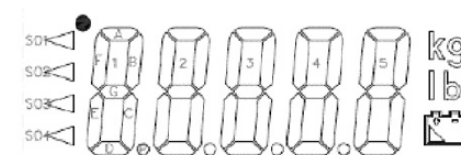
INSTRUCTIONS FOR USE

1. Place sling to be used onto spreader bar without patient/resident/user.
2. Press the scale faceplate ON/ZERO button to zero-out the sling weight (this weight will remain zeroed out until the Off button is pressed).
3. Carefully lift the patient/resident/user in the sling, performing the procedure so that all of the weight is supported by the lift. Stabilise the movement of the sling after lifting.
4. Weight will display on the scale. Press the Operate/Hold button to hold the weight displayed. To reset the scale to zero, press the Operate/Hold button again.
5. Lower patient/resident/user safely.
6. If you are weighing another individual using the same sling, perform the lift and their weight will display. Press Operate/Hold to maintain their weight on the scale display.
7. Press the Off button when the weighing procedure is complete.
8. The scale will automatically power off five minutes after measurement has been completed.

KEYBOARD ILLUSTRATION



DISPLAY ILLUSTRATION



ALTERNATIVE ASSEMBLY WITH NUTS AND BOLTS

7. MAINTENANCE

To prolong the working life of the weigh scale and for trouble free operation it is recommended that periodic inspections should be performed routinely by a technician who is suitably qualified and well acquainted with the design, use and care of patient lifters.

If inspection reveals that the safety of the weigh scale is jeopardised in any way the lifter should be **IMMEDIATELY WITHDRAWN FROM SERVICE**, tagged as such and the owner notified.

CLEANING

As needed, wipe scale gently, using mild soap or a mild disinfectant.



NOTICE: DO NOT wash under water pressure or steam clean. **DO NOT** use solvents, abrasive cleaners, or scouring pads to clean scale.

BATTERY REPLACEMENT

When the low battery indicator appears in the display's right corner, replace the battery by following the steps below:

1. Open the scale back battery compartment.
2. Remove battery and replace with a 9V alkaline battery. Ensure battery polarity is correct.
3. Close the scale back battery compartment.

If the scale is not used for an extended period of time, remove the battery.

8. SPECIFICATIONS

Model Number	LSS390680	
Capacity	320 kg	
Resolution	1/3,000 ±1d	
Division	0.1 kg	
Power Source	9V alkaline battery x 1	
Temperature	Operating	32°F - 104°F (0°C - 40°C)
	Storage	32°F - 158°F (0°C - 70°C)
Dimensions (W x H x D)	90mm x 72mm x 55mm	
Product Weight	0.675kg	
LCD Display	66mm x 32.4mm	
Display Description	Five digit indication	
	Kg unit mode	
	Low power alarm battery symbol	
	S1 "Zero" indication	
	S4 "Hold" indication	

9. LIMITED WARRANTY

AIDACARE warrants its products to be free from defects in materials and workmanship under normal use and service and will within the period stated below, from the date of purchase, repair or replace without cost to the original customer, any part assembly or portion thereof which shall be returned to AIDACARE and from OUR inspection shows to be defective.

1. Inline Weigh Scale - 2 Years
2. Battery - 1 Year

WARRANTY IS CONTINGENT UPON ANNUAL SERVICING BEING COMPLETED FOR THE LENGTH OF THE WARRANTY PERIOD.

AIDACARE cannot be held responsible for any personal injury, damage to the weigh scale or damage to property as a result of the improper or unsafe use of the product.

No warranty claim shall apply where the product or any part thereof has been modified, varied, altered or damaged either accidentally or through improper or negligent use.

No warranty claim shall apply where the weigh scale is repaired or serviced by parties other than those accredited and or approved by Aidacare.

Warranty does not extend to items or components which may require replacement due to normal wear and tear (e.g. battery) for which AIDACARE nor its distributors can be held responsible.



AIDACARE PTY LTD

Building 3A, 1 Moorebank Avenue, Moorebank NSW 2170

1300 133 120

www.aidacare.com.au

MADE IN TAIWAN