

# PATIENT LIFTERS & SLINGS

*Mobile Patient Lifters & Slings  
Designed for a Range of Environments,  
from Community to Facility*



## LIFTERS

- Aidacare Aspire A150F
- Aidacare Aspire A205
- Aidacare Aspire 200
- Aidacare Aspire A320

## STANDERS

- Aidacare Aspire A200S
- Aidacare Aspire 200S
- Aspire Swift Patient Mover

## OPTIONS

- Aidacare Aspire Inline Weigh Scale
- Aidacare Aspire Manual & Powered Pivot Frames

## SLINGS

- Aspire Deluxe General Purpose
- Aspire Deluxe General Purpose with Head Support
- Aspire Deluxe Hygiene Access
- Aspire Deluxe Hygiene Access with Head Support
- Aspire Deluxe Hammock with Head Support
- Aspire Deluxe Low Friction
- Aspire Deluxe Standing

[www.aidacarelifters.com.au](http://www.aidacarelifters.com.au)  
1300 133 120





The Aidacare Aspire A150F is a lightweight and portable folding patient lifter designed for home and community environments.

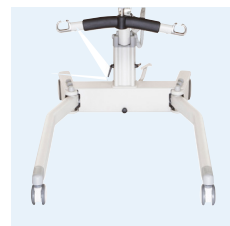


### FEATURES



#### FOLDS FOR TRANSPORT AND STORAGE

Folds quickly and conveniently for storage or transport in the boot of the car



#### OFFSET LEG DESIGN

Provides additional accessibility around chairs and furniture in the home



#### INTELLIGENT DIAGNOSTICS

State of the art Linak Jumbo Care control system. Tracks usage and service requirements for safety and compliance



#### LEG FUNCTION

Simple foot operation to open or close legs for lifting stability or accessibility



#### QUALITY CASTORS

2 x 75mm front castors for maximum under bed clearance and accessibility.  
2 x 100mm rear locking castors for safety and manoeuvrability



#### BUILD QUALITY

Strong powder coated aluminium frame with industry leading Linak electronics and warranty provision

#### QUICK RELEASE YOKE ATTACHMENT

One touch release and attach mechanism, designed for the busy caregiver. Padded yoke for added patient safety

#### ERGONOMIC HANDSET

The latest slimline technology from Linak fits neatly in the hand with an intuitive control panel. Battery and service indicator lights assist with service scheduling

#### SAFETY

Critical features include emergency stop button, emergency lowering and anti-entrapment technology, with both patient and caregiver safety at heart

#### SLING COMPATIBILITY

Compatible with a large range of Aspire Slings, as well as other brands.

See page 20 for Full range of Aspire Slings

For detailed technical specifications see page 18

A150F is registered in the ARTG, AUST R ARTG 224749

5 Year Warranty Frame

3 Year Warranty Electronics

1 Year Warranty Battery



The Aidacare Aspire A205 is a compact and versatile aluminium mobile lifter with powered legs that is ideal for home, community and facility environments.



### FEATURES



#### TRANSPORT OR STORAGE

Is quick and convenient with tool free disassembly



#### ADJUSTABLE HEIGHT

Three adjustable height settings provides the caregiver with the flexibility to adjust the height range to suit the specific lift and patient scenario



#### INTELLIGENT DIAGNOSTICS

State of the art Linak Jumbo Care control system. Tracks usage and service requirements for safety and compliance



#### POWERED LEG FUNCTION

Opens and closes the legs for lifting stability or accessibility



#### QUALITY CASTORS

2 x 75mm front castors for maximum under bed clearance and accessibility.  
2 x 100mm rear locking castors for safety and manoeuvrability



#### BUILD QUALITY

Strong powder coated aluminium frame with industry leading Linak electronics and warranty provision

#### QUICK RELEASE YOKE ATTACHMENT

One touch release and attach mechanism, designed for the busy caregiver. Padded yoke for added patient safety

#### ERGONOMIC HANDSET

The latest slimline technology from Linak fits neatly in the hand with an intuitive control panel. Battery and service indicator lights assist with service scheduling

#### SAFETY

Critical features include emergency stop button, emergency lowering and anti-entrapment technology, with both patient and caregiver safety at heart

#### SLING COMPATIBILITY

Compatible with a large range of Aspire Slings, as well as other brands.

DESIGN UPGRADED FOR INCREASED SWL

S.W.L 205kg

For detailed technical specifications see page 18

A205 is registered in the ARTG, AUST R ARTG 224748

5 Year Warranty Frame

3 Year Warranty Electronics

1 Year Warranty Battery



A robust workhorse, the Aidacare Aspire 200 is designed to meet the rigorous demands of professional and facility environments.



## FEATURES



### INTELLIGENT DIAGNOSTICS

State of the art Linak Jumbo Care control system. Tracks usage and service requirements for safety and compliance



### ERGONOMIC HANDLES

Provide multiple grip points to suit carers of different heights and strengths



### QUALITY CASTORS

2 x 75mm front castors for maximum under bed clearance and accessibility.  
2 x 100mm rear locking castors for safety and manoeuvrability



### POWERED LEG FUNCTION

Opens and closes the legs for lifting stability or accessibility



### BUILD QUALITY

Strong powder coated aluminium frame with industry leading Linak electronics and warranty provision



### QUICK RELEASE YOKE ATTACHMENT

One touch release and attach mechanism, designed for the busy caregiver. Padded yoke for added patient safety



### ERGONOMIC HANDSET

The latest slimline technology from Linak fits neatly in the hand with an intuitive control panel. Battery and service indicator lights assist with service scheduling



### SAFETY

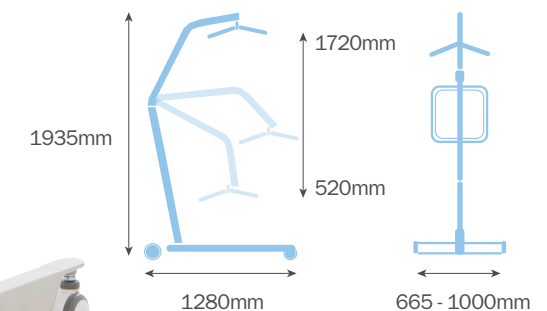
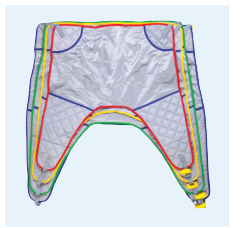
Critical features include emergency stop button, emergency lowering and anti-entrapment technology, with both patient and caregiver safety at heart



### SLING COMPATIBILITY

Compatible with a large range of Aspire Slings, as well as other brands.

See page 20 for Full range of Aspire Slings



For detailed technical specifications see page 18

200 is registered in the ARTG, AUST R ARTG 224635

5 Year Warranty Frame

3 Year Warranty Electronics

1 Year Warranty Battery



The Aidacare Aspire A320 will exceed expectations even in the most demanding clinical environments. Its broad base and ample patient clearance compliments the substantial 320kg safe working load.



### FEATURES



#### INTELLIGENT DIAGNOSTICS

State of the art Linak Jumbo Care control system. Tracks usage and service requirements for safety and compliance



#### ADJUSTABLE HEIGHT

Three adjustable height settings provides the caregiver with the flexibility to adjust the height range to suit the specific lift and patient scenario



#### QUALITY CASTORS

2 x 100mm front castors for reduced rolling resistance under high load.  
2 x 125mm rear locking castors for safety and manoeuvrability



#### ERGONOMIC HANDLES AND SUPPORT ARMS

Provide multiple grip points to suit carers of different heights and strengths. Folding support arms assist with stability or mobility but can also be folded out of the way



#### BUILD QUALITY

Strong powder coated aluminium frame with industry leading Linak electronics and warranty provision



#### POWERED LEG FUNCTION

Opens and closes the legs for lifting stability or accessibility

#### QUICK RELEASE 4 POINT YOKE

Padded 4 point yoke for added patient safety. One touch release and attach mechanism, designed for the busy caregiver



#### ERGONOMIC HANDSET

The latest slimline technology from Linak fits neatly in the hand with an intuitive control panel. Battery and service indicator lights assist with service scheduling



#### SAFETY

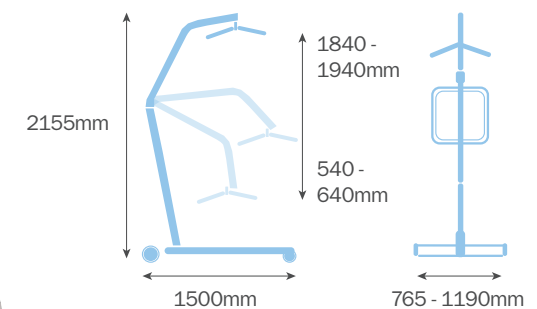
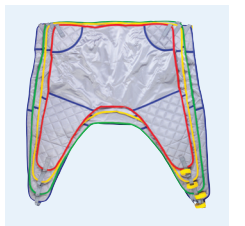
Critical features include emergency stop button, emergency lowering and anti-entrapment technology, with both patient and caregiver safety at heart



#### SLING COMPATIBILITY

Compatible with a large range of Aspire Slings, as well as other brands.

See page 20 for Full range of Aspire Slings



For detailed technical specifications see page 18

A320 is registered in the ARTG, AUST R ARTG 224625





The Aidacare Aspire A200S is a compact, lightweight and manoeuvrable standing lifter ideal for home, community and facility environments.



### FEATURES



#### INTELLIGENT DIAGNOSTICS

State of the art Linak Jumbo Care control system. Tracks usage and service requirements for safety and compliance



#### ADJUSTABLE PADDED LEGRESTS

Provide comfort and support during transfers and can be adjusted to suit the patient



#### QUALITY CASTORS

2 x 75mm front castors for maximum under bed clearance and accessibility.  
2 x 75mm rear locking castors for safety and manoeuvrability



#### ERGONOMIC HANDLES

Provide multiple grip points to suit carers of different heights and strengths



#### BUILD QUALITY

Strong powder coated aluminium frame with industry leading Linak electronics and warranty provision



#### POWERED LEG FUNCTION

Opens and closes the legs for lifting stability or accessibility

#### ADJUSTABLE DEPTH YOKE

Yoke is depth adjustable for optimal patient fit



#### ERGONOMIC HANDSET

The latest slimline technology from Linak fits neatly in the hand with an intuitive control panel. Battery and service indicator lights assist with service scheduling



#### SAFETY

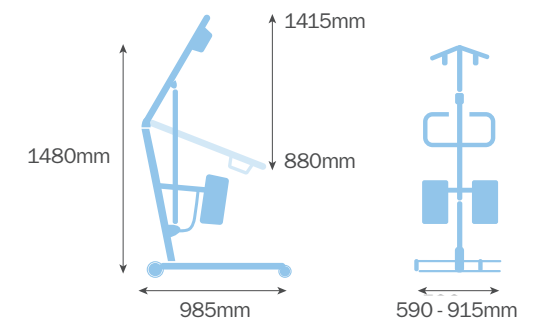
Critical features include emergency stop button, emergency lowering and anti-entrapment technology, with both patient and caregiver safety at heart



#### SLING COMPATIBILITY

Compatible with a large range of Aspire Slings, as well as other brands.

See page 20 for Full range of Aspire Slings



For detailed technical specifications see page 18

A200S is registered in the ARTG, AUST R ARTG 224750

5 Year Warranty Frame

3 Year Warranty Electronics

1 Year Warranty Battery



The Aidacare Aspire 200S is a robust and durable steel standing lifter capable in the most demanding facility environments.



## FEATURES



### INTELLIGENT DIAGNOSTICS

State of the art Linak Jumbo Care control system. Tracks usage and service requirements for safety and compliance



### ADJUSTABLE PADDED LEGRESTS

Provide comfort and support during transfers and can be adjusted to suit the patient



### QUALITY CASTORS

2 x 75mm front castors for maximum under bed clearance and accessibility.  
2 x 100mm locking rear castors for improved manoeuvrability



### ERGONOMIC HANDLES

Provide multiple grip points to suit carers of different heights and strengths



### BUILD QUALITY

Strong powder coated aluminium frame with industry leading Linak electronics and warranty provision



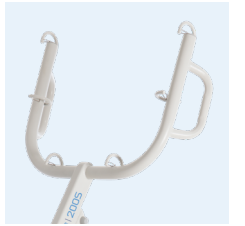
### POWERED LEG FUNCTION

Opens and closes the legs for lifting stability or accessibility



### BULLHORN LIFTING BOOM

Offset patient handles provide stability and 6 sling attachment points give the carer flexibility to perform the optimal lift in any scenario



### ERGONOMIC HANDSET

The latest slimline technology from Linak fits neatly in the hand with an intuitive control panel. Battery and service indicator lights assist with service scheduling



### SAFETY

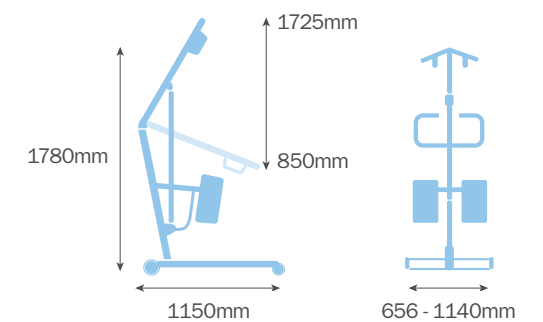
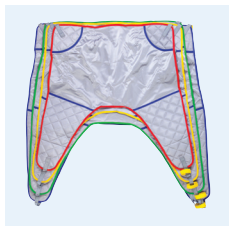
Critical features include emergency stop button, emergency lowering and anti-entrapment technology, with both patient and caregiver safety at heart



### SLING COMPATIBILITY

Compatible with a large range of Aspire Slings, as well as other brands.

See page 20 for Full range of Aspire Slings



For detailed technical specifications see page 18

200S is registered in the ARTG, AUST R ARTG 225798

5 Year Warranty Frame

3 Year Warranty Electronics

1 Year Warranty Battery



The Aspire Swift Patient Mover is a compact standing aid that facilitates standing and transfers in the home, community and facility environments. Offering a more active transfer solution, users are encouraged to stand up independently, improving circulation, breathing and muscle strength. The Aspire Swift Patient Mover is an ideal alternative to a patient lifter for users with appropriate sitting balance, who require transfers over greater distances.



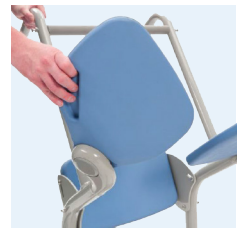
### SOFT TOUCH GRAB HANDLE

Assists the user to move independently from sitting to standing



### SOFT SEAT PADS

Swing out of the way to allow user access and swing back into place to provide a comfortable seating surface



### RIGID FOOT PLATFORM

Provides a stable surface for the user to stand on and support their own weight



## FEATURES



### CLIP SLING ATTACHMENT POINTS

Allows a standing sling (optional accessory) with clips to be used for additional support where required



### FOUR USER CONTACT POINTS

The foot platform, knee pad, seat pads and grip handle promote stability, support and comfort for the user - resulting in greater confidence in the transfer



### HEIGHT ADJUSTABLE SOFT KNEE PAD

Provides comfortable counter balance stability during transfers



### LOCKABLE 75MM CASTORS

The platform remains stationary while a user is transferring, while minimising the leg height for sufficient clearance beneath beds and furniture



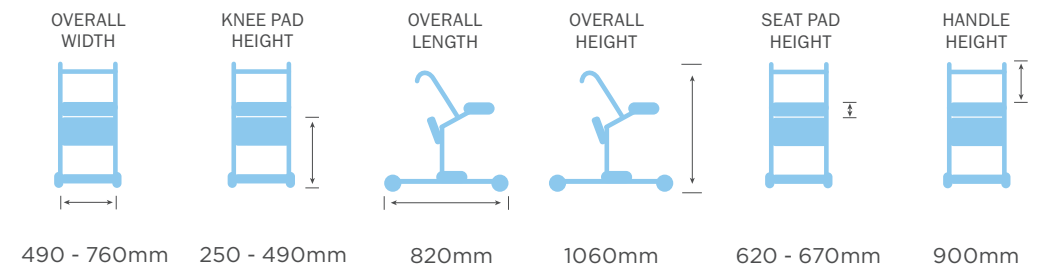
### WIDTH ADJUSTABLE LEGS

Activated via 2 foot pedals, provide the ability to manoeuvre closer to furniture, toilets or beds for safer access

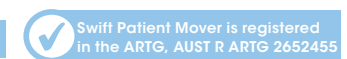


### EASY TO CLEAN SURFACES

For effective and hassle-free infection control



For detailed technical specifications see page 18







AS / NZS Approved

Weigh Scale is registered in the ARTG, AUST R ARTG 224748



ADAPTABLE TO MOST OTHER LIFTER BRANDS

## FEATURES

- |   |   |   |                                      |
|---|---|---|--------------------------------------|
| 1 | Designed to be fitted on Aidacare Aspire Patient Lifters, however adaptable to most Lifter brands       | 3 | Large weight capacity of up to 320kg |
| 2 | Allows for an accurate weight measurement to be taken by a carer when a patient is suspended in a sling | 4 | Easy to read LCD display             |

**PRODUCT CODE:**  
LSS390680 | Aidacare Aspire In-Line Weigh Scale



SUITS AIDACARE ASPIRE PATIENT LIFTERS:



LSS390600 - A150F  
Aluminium Folding Lifter



LSS390610 - A205  
Aluminium Patient Lifter



LSS390620 - 200  
Steel Patient Lifter



LSS390630 - A320  
Aluminium Bariatric Lifter



AS / NZS Approved

Pivot Frame is registered in the ARTG, AUST R ARTG 301226



POWERED AND MANUAL PATIENT POSITIONING SOLUTION

## FEATURES

- |   |   |   |   |
|---|---|---|---|
| 1 | Finely balanced central pivot line requires minimal manual handling effort to achieve the full pivot range and desired positioning. | 4 | Patients can be ideally positioned for safety and comfort during the transfer process.                            |
| 2 | Ergonomic positioning handle. In powered configuration, the accessible thumb-switch activates powered pivoting assistance.          | 5 | Removable battery with charger included (powered).  |
| 3 | Four clip sling attachment points.  | 6 | Designed for use with Aidacare Aspire Patient Lifters and Clip Slings, yet adaptable to many other lifter brands. |

**PRODUCT CODE:**  
LSS390665 | Aspire Powered Pivot Frame  
LSS390670 | Aspire Manual Pivot Frame



SUITS AIDACARE ASPIRE PATIENT LIFTERS:



LSS390600 - A150F  
Aluminium Folding Lifter



LSS390610 - A205  
Aluminium Patient Lifter



LSS390620 - 200  
Steel Patient Lifter



LSS390630 - A320  
Aluminium Bariatric Lifter








PATIENT LIFTER RANGE

	A150F	A205	200
			
<b>Product Code</b>	LSS390600	LSS390610	LSS390620
<b>Safe Working Load (S.W.L)</b>	150kg	205kg	200kg
<b>Base Length</b>	1280mm (1220mm folded)	1238mm	1280mm
<b>External Base Width</b>	660-1040mm (615mm folded)	651-1173mm	665-1000mm
<b>Internal Base Width</b>	580-950mm	547-1073mm	580-920mm
<b>Base Width Adjustment</b>	Manual	Electric	Electric
<b>Base Height / Under Bed Clearance</b>	133mm	110mm	110mm
<b>Minimum Height of Spreader Bar **</b>	428mm	415-515mm	520mm
<b>Maximum Height of Spreader Bar**</b>	1640mm	1700-1800mm	1720mm
<b>Product Weight</b>	32.9kg	38.1kg	43.9kg
<b>Under Base Height</b>	72mm	50mm	50mm
<b>Maximum Overall Height</b>	1873mm (395mm folded)	2040mm	1935mm
<b>Front Castor Diameter</b>	75mm	75mm	75mm
<b>Rear Locking Castor Diameter</b>	100mm	100mm	100mm
<b>Turning Radius</b>	1365mm	1332mm	1385mm
<b>Weight Of Heaviest Part (Base Assembly)</b>	32.9kg	19.6kg	23.0kg
<b>Handle Height</b>	1170mm	1085-1185mm	1220mm
<b>Warranty - Frame</b>	5 Years	5 Years	5 Years
<b>Warranty - Electronics</b>	3 Years	3 Years	3 Years
<b>Warranty - Battery*</b>	1 Year	1 Year	1 Year

ACCESSORIES

<b>Inline Weigh Scale (S.W.L 320kg)</b> 	LSS390680	LSS390680	LSS390680
<b>Manual Pivot Frame (S.W.L 227kg)</b> 	LSS390670	LSS390670	LSS390670
<b>Powered Pivot Frame (S.W.L 227kg)</b> 	LSS390665	LSS390665	LSS390665

\* Includes Battery Pack and Handset

\*\* Three mast height settings are possible hence the range of minimum and maximums



A320	A200S	200S	Swift Patient Mover
			
LSS390630	LSS390640	LSS390650	LSS390590
320kg	200kg	200kg	185KG
1500mm	985mm	1150mm	820mm
765-1190mm	590-915mm	656-1140mm	490 - 760mm
640-1065mm	490-815mm	575-1055mm	490-760mm
Electric	Electric	Electric	Manual
155mm	110mm	110mm	100mm
540-640mm	880mm	850mm	Not Applicable
1840-1940mm	1415mm	1725mm	Not Applicable
63kg	30.4kg	44.9kg	40kg
155mm	50mm	50mm	40mm
2155mm	1480mm	1780mm	1060mm
100mm	75mm	75mm	75mm
125mm	75mm	100mm	75mm
1595mm	1100mm	1255mm	Not Available
38.9kg	16.6kg	25.1kg	Not Available
1200-1300mm	1025mm	993mm	900mm
5 Years	5 Years	5 Years	2 Years
3 Years	3 Years	3 Years	Not Available
1 Year	1 Year	1 Year	Not Available

LSS390680	Not Available	Not Available	Not Available
LSS390670	Not Available	Not Available	Not Available
LSS390665	Not Available	Not Available	Not Available

To view our comprehensive list of spare parts visit [www.aidacarelifters.com.au](http://www.aidacarelifters.com.au)





The Aidacare Aspire range of slings is designed to meet patient needs in the Home, Aged Care and Hospital environments. Manufactured under the highest quality control standards, the extremely durable slings come in a range of fabrics and sizes to suit the individual patient and caregiver's needs.



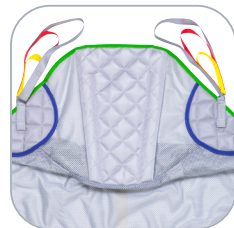
#### DURABLE

Loop webbing has a breaking strain in excess of one tonne and is designed so that it will not tangle or "cork-screw" during cleaning



#### QUALITY

Manufactured in the UK using European materials, computer guided stitching and CNC fabric cutting



#### PATIENT COMFORT

Additional padding in weight bearing areas.



#### MANOEUVRING HANDLES

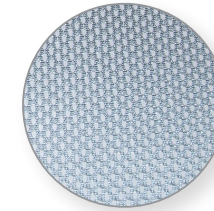
Thoughtfully positioned handles provide carers with a secure grip point to aid the transfer

#### EASY CLEAN

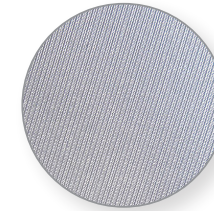
Machine washable up to 85°C

#### FABRICS

POLYESTER MESH



POLYESTER SOLID



SUPER SOFT



#### SERIAL NUMBERED / EMBROIDERED LABEL

have embroidered labels and a unique serial number to maintain traceability and assist with compliance obligations.



#### SERVICE AND MAINTENANCE

Service record labels ensure you can record and identify service history



#### COLOUR CODED SIZING

All slings have reinforced edging that is colour coded for each size available - making them easy to identify



#### PATIENT DIGNITY

Option to position strap around the outside of legs for more discreet positioning (applicable models)



#### PATIENT SAFETY

Smart features such as velcro/buckle combinations for more secure positioning and greater patient safety (applicable models)

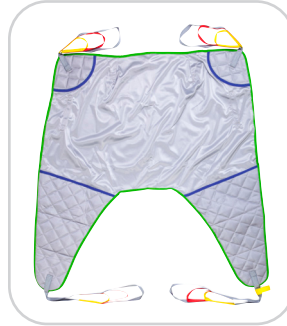


#### WARRANTY

The Aspire sling range all come with a 12 month warranty



## DELUXE GENERAL PURPOSE SLING



Code	Description	Edging	S.W.L
LSS390700	Deluxe General Purpose Sling - Polyester - Loop - Small	●	200kg
LSS390705	Deluxe General Purpose Sling - Polyester - Loop - Medium	●	200kg
LSS390710	Deluxe General Purpose Sling - Polyester - Loop - Large	●	300kg
LSS390715	Deluxe General Purpose Sling - Polyester - Loop - X-Large	●	300kg
LSS390716	Deluxe General Purpose Sling - Mesh - Loop - Small	●	200kg
LSS390717	Deluxe General Purpose Sling - Mesh - Loop - Medium	●	200kg
LSS390718	Deluxe General Purpose Sling - Mesh - Loop - Large	●	300kg
LSS390719	Deluxe General Purpose Sling - Mesh - Loop - X-Large	●	300kg

Deluxe General Purpose Sling is registered in the ARTG, AUST R ARTG 224718

## DELUXE GENERAL PURPOSE SLING WITH HEAD SUPPORT



Code	Description	Edging	S.W.L
LSS390740	Deluxe General Purpose Sling with Head Support - Polyester - Loop - Small	●	200kg
LSS390745	Deluxe General Purpose Sling with Head Support - Polyester - Loop - Medium	●	200kg
LSS390750	Deluxe General Purpose Sling with Head Support - Polyester - Loop - Large	●	300kg
LSS390755	Deluxe General Purpose Sling with Head Support - Polyester - Loop - X-Large	●	300kg
LSS390751	Deluxe General Purpose Sling with Head Support - Polyester - Loop - XX-Large	●	300kg
LSS390752	Deluxe General Purpose Sling with Head Support - Polyester - Loop - XXX-Large	●	300kg
LSS390756	Deluxe General Purpose Sling with Head Support - Mesh - Loop - Small	●	200kg
LSS390757	Deluxe General Purpose Sling with Head Support - Mesh - Loop - Medium	●	200kg
LSS390758	Deluxe General Purpose Sling with Head Support - Mesh - Loop - Large	●	300kg
LSS390759	Deluxe General Purpose Sling with Head Support - Mesh - Loop - X-Large	●	300kg
LSS3907591	Deluxe General Purpose Sling with Head Support - Mesh - Loop - XX-Large	●	300kg
LSS3907592	Deluxe General Purpose Sling with Head Support - Mesh - Loop - XXX- Large	●	300kg
LSS390900	Deluxe General Purpose Sling with Head Support - Polyester - Clip - Small	●	200kg
LSS390905	Deluxe General Purpose Sling with Head Support - Polyester - Clip - Medium	●	200kg
LSS390910	Deluxe General Purpose Sling with Head Support - Polyester - Clip - Large	●	300kg
LSS390915	Deluxe General Purpose Sling with Head Support - Polyester - Clip - X-Large	●	300kg
LSS390916	Deluxe General Purpose Sling with Head Support - Mesh - Clip - Small	●	200kg
LSS390917	Deluxe General Purpose Sling with Head Support - Mesh - Clip - Medium	●	200kg
LSS390918	Deluxe General Purpose Sling with Head Support - Mesh - Clip - Large	●	300kg
LSS390919	Deluxe General Purpose Sling with Head Support - Mesh - Clip - X-Large	●	300kg

Deluxe General Purpose Sling is registered in the ARTG, AUST R ARTG 224718

## DELUXE HYGIENE ACCESS SLING



Code	Description	Edging	S.W.L
LSS390760	Deluxe Hygiene Access Sling - Polyester - Loop - Small	●	200kg
LSS390765	Deluxe Hygiene Access Sling - Polyester - Loop - Medium	●	200kg
LSS390770	Deluxe Hygiene Access Sling - Polyester - Loop - Large	●	300kg
LSS390775	Deluxe Hygiene Access Sling - Polyester - Loop - X-Large	●	300kg
LSS390776	Deluxe Hygiene Access Sling - Polyester - Loop - XX-Large	●	300kg
LSS390777	Deluxe Hygiene Access Sling - Polyester - Loop - XXX-Large	●	300kg

Deluxe Hygiene Access Sling is registered in the ARTG, AUST R ARTG 224719



## DELUXE HYGIENE ACCESS SLING WITH HEAD SUPPORT

Code	Description	Edging	S.W.L
LSS390780	Deluxe Hygiene Access Sling with Head Support - Polyester - Loop - Small	●	200kg
LSS390785	Deluxe Hygiene Access Sling with Head Support - Polyester - Loop - Medium	●	200kg
LSS390790	Deluxe Hygiene Access Sling with Head Support - Polyester - Loop - Large	●	300kg
LSS390795	Deluxe Hygiene Access Sling with Head Support - Polyester - Loop - X-Large	●	300kg
LSS390940	Deluxe Hygiene Access Sling with Head Support - Polyester - Clip - Small	●	200kg
LSS390945	Deluxe Hygiene Access Sling with Head Support - Polyester - Clip - Medium	●	200kg
LSS390950	Deluxe Hygiene Access Sling with Head Support - Polyester - Clip - Large	●	300kg
LSS390955	Deluxe Hygiene Access Sling with Head Support - Polyester - Clip - X-Large	●	300kg

Deluxe Hygiene Access Sling is registered in the ARTG, AUST R ARTG 224719

## DELUXE HAMMOCK SLING WITH HEAD SUPPORT



Code	Description	Edging	S.W.L
LSS390800	Deluxe Hammock Sling with Head Support - Super Soft - Loop - Small	●	200kg
LSS390805	Deluxe Hammock Sling with Head Support - Super Soft - Loop - Medium	●	200kg
LSS390810	Deluxe Hammock Sling with Head Support - Super Soft - Loop - Large	●	300kg
LSS390815	Deluxe Hammock Sling with Head Support - Super Soft - Loop - X-Large	●	300kg
LSS390860	Deluxe Hammock Sling with Head Support - Mesh - Loop - Small	●	200kg
LSS390865	Deluxe Hammock Sling with Head Support - Mesh - Loop - Medium	●	200kg
LSS390870	Deluxe Hammock Sling with Head Support - Mesh - Loop - Large	●	300kg
LSS390875	Deluxe Hammock Sling with Head Support - Mesh - Loop - X-Large	●	300kg

Deluxe Hammock Sling is registered in the ARTG, AUST R ARTG 224720

## DELUXE LOW FRICTION SLING

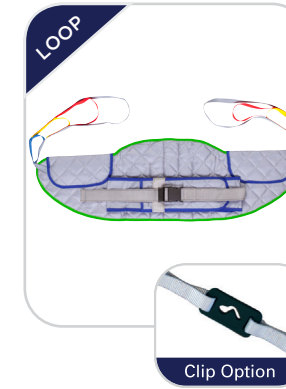


Code	Description	Edging	S.W.L
LSS390880	Deluxe Low Friction Sling - Parasilk - Loop - Small	●	200kg
LSS390885	Deluxe Low Friction Sling - Parasilk - Loop - Medium	●	200kg
LSS390890	Deluxe Low Friction Sling - Parasilk - Loop - Large	●	300kg
LSS390895	Deluxe Low Friction Sling - Parasilk - Loop - X-Large	●	300kg
LSS390960	Deluxe Low Friction Sling - Parasilk - Clip - Small	●	200kg
LSS390965	Deluxe Low Friction Sling - Parasilk - Clip - Medium	●	200kg
LSS390970	Deluxe Low Friction Sling - Parasilk - Clip - Large	●	300kg
LSS390975	Deluxe Low Friction Sling - Parasilk - Clip - X-Large	●	300kg

Deluxe Low Friction Sling (Loop) is registered in the ARTG, AUST R ARTG 224720

Deluxe Low Friction Sling (Clip) is registered in the ARTG, AUST R ARTG 224718

## DELUXE STANDING SLING



Code	Description	Edging	S.W.L
LSS390720	Deluxe Padded Standing Sling - Polyester - Loop - Small	●	200kg
LSS390725	Deluxe Padded Standing Sling - Polyester - Loop - Medium	●	200kg
LSS390730	Deluxe Padded Standing Sling - Polyester - Loop - Large	●	300kg
LSS390735	Deluxe Padded Standing Sling - Polyester - Loop - X-Large	●	300kg
LSS390736	Deluxe Padded Standing Sling - Polyester - Loop - XX-Large	●	300kg
LSS390737	Deluxe Padded Standing Sling - Polyester - Loop - XXX-Large	●	300kg
LSS390920	Deluxe Padded Standing Sling - Polyester - Clip - Small	●	200kg
LSS390925	Deluxe Padded Standing Sling - Polyester - Clip - Medium	●	200kg
LSS390930	Deluxe Padded Standing Sling - Polyester - Clip - Large	●	300kg
LSS390935	Deluxe Padded Standing Sling - Polyester - Clip - X-Large	●	300kg

Deluxe Standing Sling is registered in the ARTG, AUST R ARTG 224698

To view our comprehensive range of slings (including pivot slings) please visit [www.aidacarelifters.com.au](http://www.aidacarelifters.com.au)



**aspire**  
**WHEELCHAIR RANGE**

aspire for...  
Comfort  
Posture  
Mobility

EVOKÉ 2    REHAB RX    ASSIST 2    TRANSIT 2    LITE TRANSIT

[www.aspirecare.com.au](http://www.aspirecare.com.au)  
1300 133 120

**aspire WALKERS**

aspire for...  
mobility  
comfort  
style

CLASSIC 8    MINI  
XL    PUSH DOWN  
DELUXE    TRI WHEEL    MEAL TRAY WALKER

**ASPIRE WALKER RANGE**

- Seat Walker Classic 8"
- Seat Walker Classic 6"
- Seat Walker Mini
- Seat Walker Deluxe
- Seat Walker XL
- Seat Walker Push Down
- Tri Wheel Walker
- Meal Tray Walker
- Meal Trolley

[www.aspirewalkers.com.au](http://www.aspirewalkers.com.au)  
1300 133 120



## Aidacare Sling Auditing

**Old Slings? Don't risk it. An old, worn out or faulty sling could be a significant safety risk for your organisation**

Aidacare's Sling Audit Program can assist you to ensure your sling inventory is in safe working order at all times.

Periodic sling audits are now a mandatory accreditation requirement. Ask us how we can help you manage the risk in this area of your business.

**1300 133 120**  
[www.aidacare.com.au](http://www.aidacare.com.au)

ABBR01-53 210120

