

Model Ci



WHILL



Distributed by:
aidacare
HEALTHCARE EQUIPMENT

The New Era of Personal Mobility Has Finally Arrived.

The WHILL Model Ci is a revolutionary approach to power mobility that uniquely boosts user confidence and evokes an active, can-do lifestyle. Its premium performance and superb engineering provides versatility and reliability to experience all-day adventures.

From socializing with friends and family to exploring the great outdoors, Model Ci empowers users to enjoy their world freely both indoors and out.

Powerful and agile, the Model Ci is exhilarating and fun to drive. Its distinctive design allows you to be you.

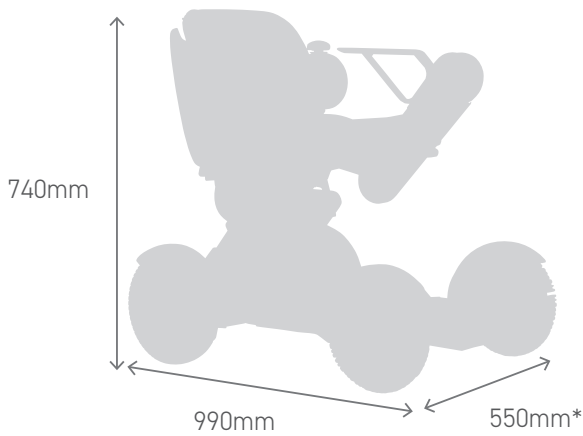
Pursue life's adventures with the Model Ci Personal EV.



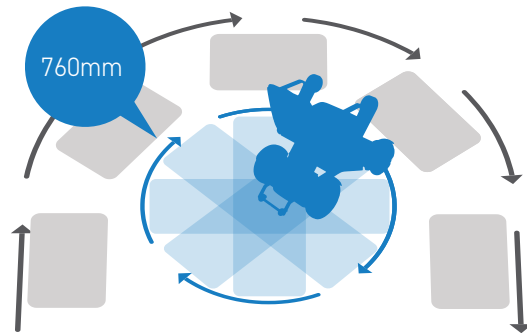


Refuse to Accept Limitations

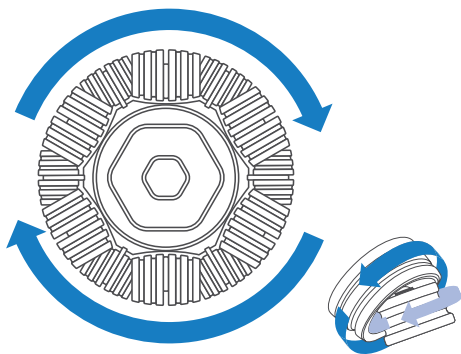
With its compact frame, patented front omni-wheels, and responsive mouse controller, Model Ci has the maneuverability to effortlessly navigate confined spaces.



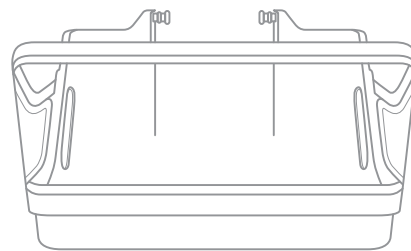
Smaller footprint than traditional power mobility devices.



Up to a 45% tighter turning radius than tiller operated mobility devices.



Patented front omni-wheels for tight turning and superb terrain coverage.



Large under-seat basket to store your belongings and groceries.

*16" seat width = 550mm / 18" seat width = 600mm

Get Out and Adventure

Equipped with two powerful motors and engineered for superb stability, effortlessly go from indoor activities to navigating trails and surrounding yourself with nature.



All-Day Excursions

16 km Range

Get There Quicker

8km/h

Climb Over Obstacles

Up to 50mm

Travel Unhindered

50mm Ground Clearance

Power Up Inclines

Ride Smoothly

2 Suspensions

Up to 10 Degrees

*Driving range of 16kms will vary due to user weight, drive surface, terrain, ambient temperature, speed setting, and battery charge and condition.



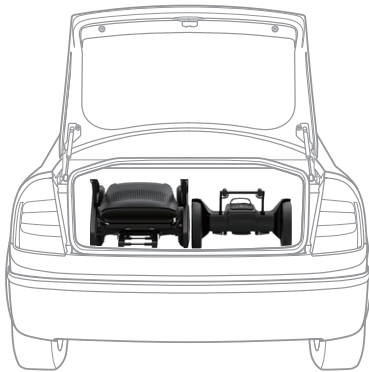


ACCESS OK
CALIFORNIA
CLEAN AIR VEHICLE
EPA 2015

Live Unpredictably

Model Ci quickly disassembles into three lightweight parts for transport in any vehicle with room to spare. Assembly is just as easy to get you quickly moving again at your destination.

Quickly Disassemble



Load Simply

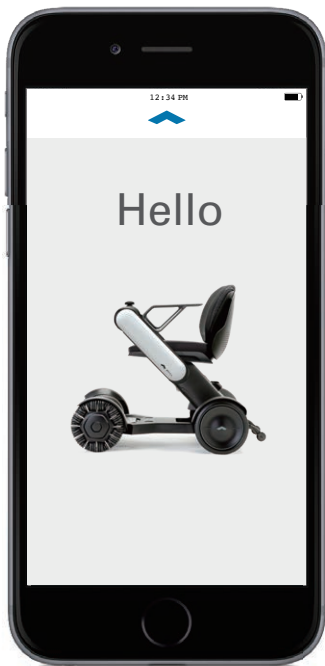


Store Neatly

*16" seat width = 14kg, 18" seat width = 15kg
**Without battery. Battery weight = 2.75kg.

Connect Intelligently

Equipped with intelligent innovations, such as the very latest in app controls and mobile data network connectivity, for greater independence and premium support.



 Bluetooth®



Control remotely and manage speed settings with the iPhone app.



Lock/Unlock your device with the WHILL Smart Key or iPhone app.



Charge your mobile devices with a built-in USB port.





Drive with Peace of Mind

Keep engaged in your activities and embrace your surroundings by knowing Model Ci will provide the necessary response and feedback to keep you riding safe.



Electromagnetic brakes provide safe stopping, even on inclines.



An anti-sway system keeps you driving straight on side slopes.



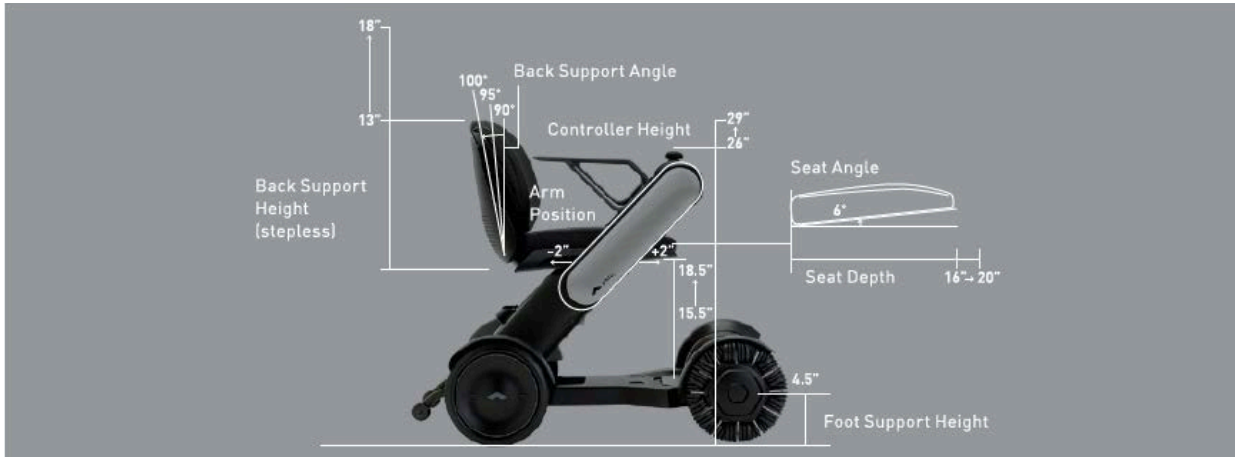
Audible messages notify you of operational errors.



Arms rotate up for easy access to the seat.

The Right Fit

Model Ci can be easily adjusted from seat height and back support angle to controller position (right or left drive) to create a comfortable driving experience.



Specifications

Product Code	PWS655300	Seat Width (Black)	400mm
Product Code	PWS655320	Seat Width (Black)	450mm

Performance Specifications

Driving Range	16km	Turning Radius	760mm
Maximum Speed	8km/h	Obstacle Clearance	50mm
Drive System	Two Motor Drive System	Ground Clearance	50mm
Incline Capability	10°	Braking System	Electromagnetic
Controller	WHILL Control System	Max Weight Capacity	114kg

Dimensional Specifications

Chair Weight	400mm Seat = 50kg 450mm Seat = 52kg	Front Wheel Diameter	9.8" Omni-wheel
Chair Width	400mm Seat = 500mm 450mm Seat = 600mm	Rear Wheel Diameter	10.5"
Chair Length	990mm	Rear Tires	Non-Puncture

Other Specifications

Charging Time	5 Hours	Operating Conditions	-15° to 40°
Battery Charger	Lithium-ion (25.2V 10Ah)	Tail Lamps	LED Light (Red)
Seat Cushions	16" x 16", 16" x 18", 18" x 18"	Horn	Built-In
USB Port	Single	Lap Belt	Optional

The information contained herein is correct at the time of printing, and we reserve the right to alter specifications without prior notice.

Colour Options

Update your Whill Chair colour with easy snap on panels.



Black

Standard on all models



Pink

WCA870200 - Left
WCA870210 - Right



Grey

WCA870140 - Left
WCA870150 - Right



Gold

WCA870120 - Left
WCA870130 - Right



Light
Blue

WCA870160 - Left
WCA870170 - Right



Navy

WCA870180 - Left
WCA870190 - Right



White

WCA870220 - Left
WCA870230 - Right

Accessories to Keep You Moving



Storage Basket
WCA870300



Lap Belt
WCA870270



Walking Cane Holder
WCA870310

Design your own road

ABR85.4.300920

The WHILL Model Ci is not considered to be a medical device and has not been submitted to the Food and Drug Administration for review or clearance.

Distributed by:
 **aidacare**
HEALTHCARE EQUIPMENT
1300 133 120
www.aidacare.com.au